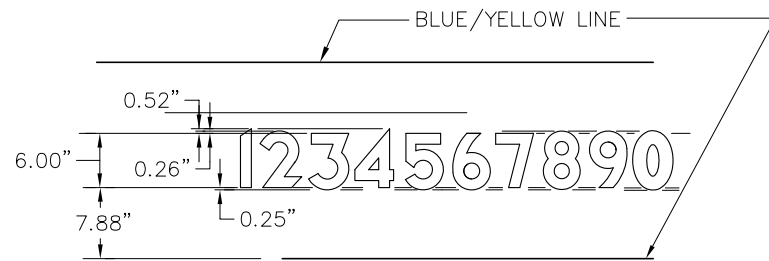


LOCATED AT BL AND AR ENDS OF SIDES

DETAIL A
1 NO SCALE

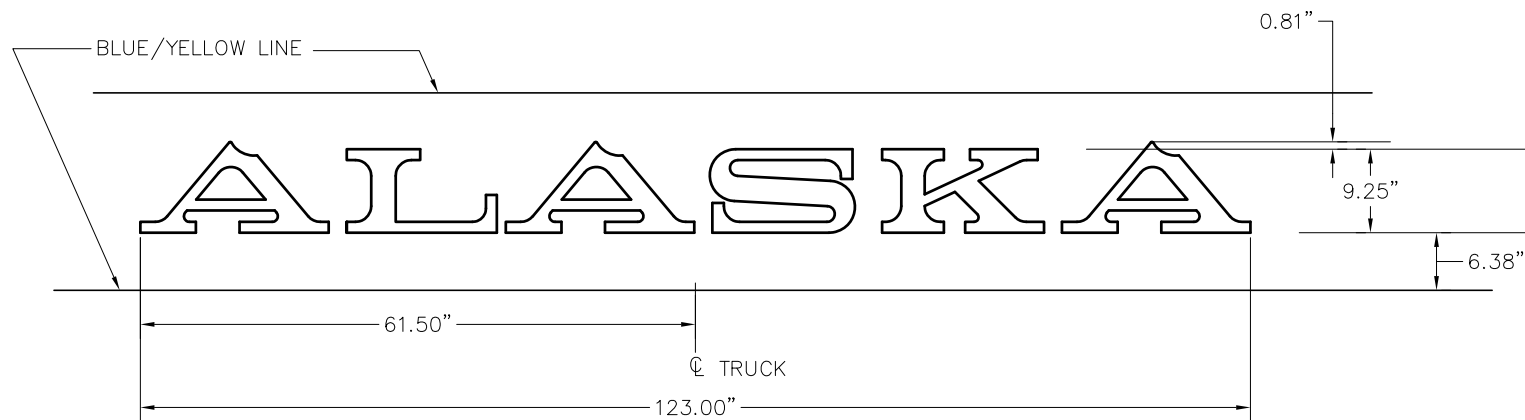


LOCATED AT BR AND AL ENDS OF SIDES

DETAIL B
1 NO SCALE

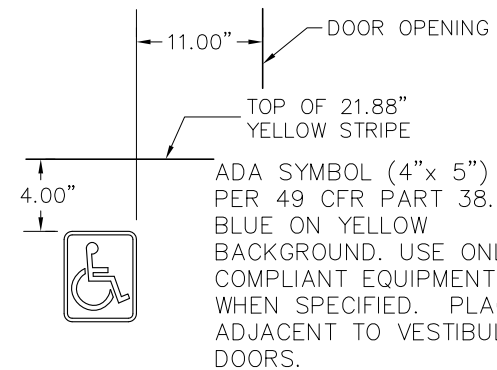
GENERAL NOTES:

- DO NOT PAINT STAINLESS STEEL APPLIANCES, OTHER BRIGHT METAL, COUPLERS OR WHEELS.
- ALL PAINTING TO BE IN ACCORDANCE WITH ARR SPECIFICATION FOR PAINTING OF ROLLING STOCK.
- COLOR CODE FOR TRAINLINE RECEPTACLES:
COMMUNICATIONS: LIGHT BLUE
DUMMY: WHITE
POWER: RED
LOCOMOTIVE MU: YELLOW
- DETAILS OF GRAPHICS ARE DOCUMENTED IN THE AUTOCAD FILE OF THIS DRAWING.
- DIMENSIONS SHOWN IN DETAIL E APPLY AT BODY BOLSTERS. LINES ARE TO FOLLOW CARBODY CAMBER.
- INTERIOR OF VESTIBULES ARE CONSIDERED EXTERIOR. VERTICAL SURFACES AND CEILINGS ARE TO BE PAINTED BLUE. ALASKA RAILROAD WILL REPLACE ALL VESTIBULE SIGNS.
- NEW RETRO-REFLECTIVE EMERGENCY ACCESS SIGNS WILL BE INSTALLED BY ALASKA RAILROAD.



LOCATED AT BR AND AL ENDS OF SIDES

DETAIL C
1 NO SCALE

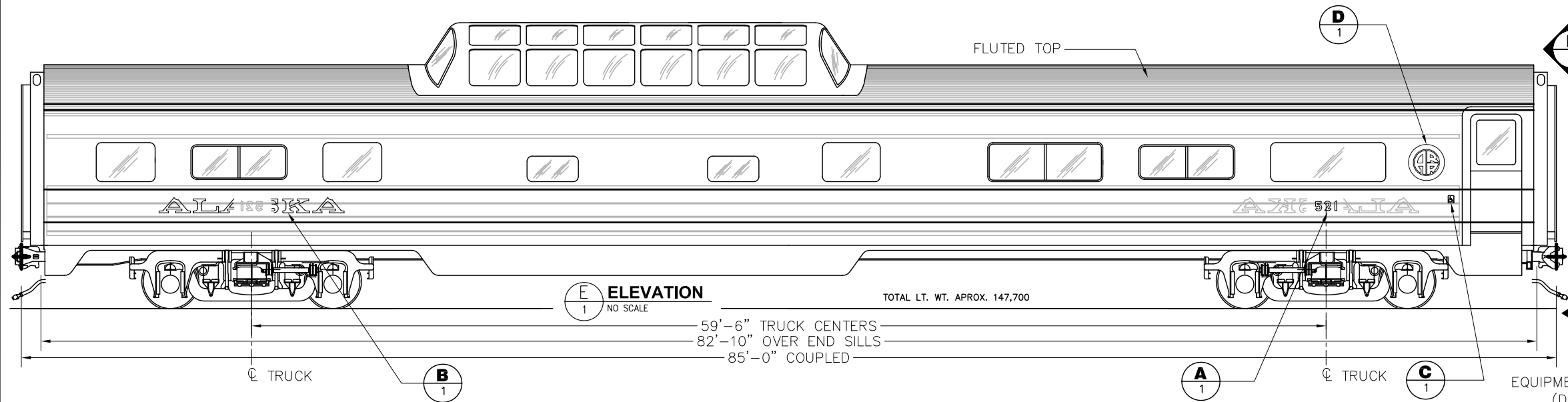


DETAIL D
1 NO SCALE

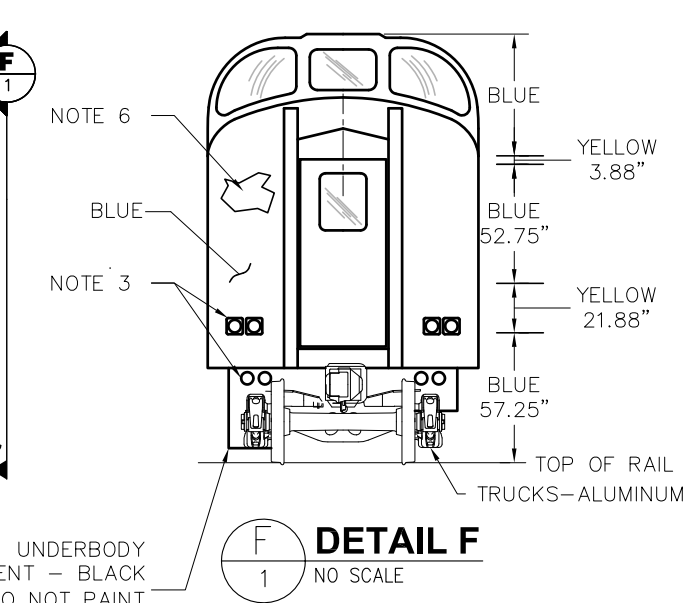


18.00" VISUAL END OF SIDE SHEET
24" DIAMETER LOGOTYPE.
VERTICAL POSITION: MAINTAIN 18" (OR AS SPACE PERMITS) FROM VISUAL END OF SIDE (eg CORNER POST OR DOOR JAMB). OMIT IF SPACE DOES NOT PERMIT APPLICATION. LOCATED ONLY AT BL AND AR ENDS OF SIDES.

DETAIL D
1 NO SCALE

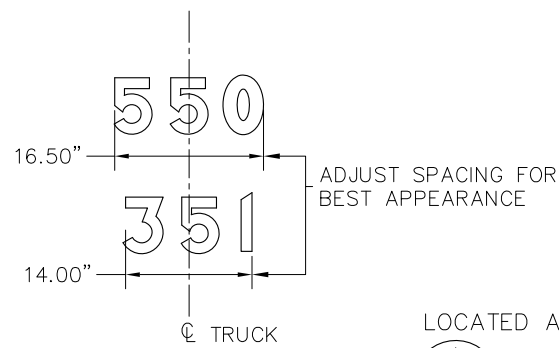


ELEVATION
1 NO SCALE



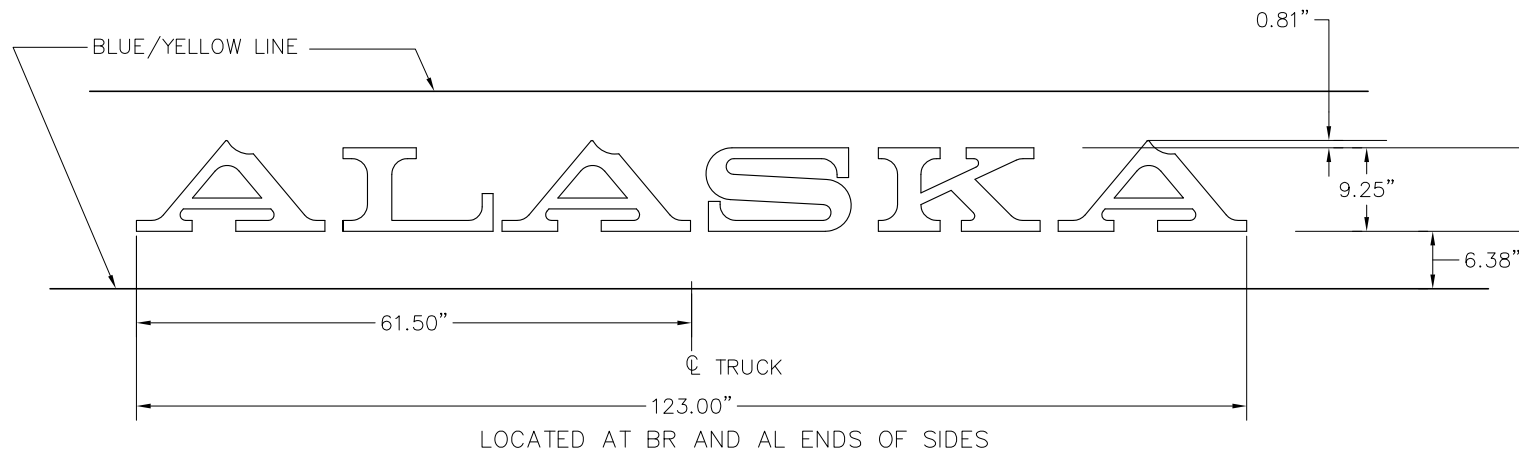
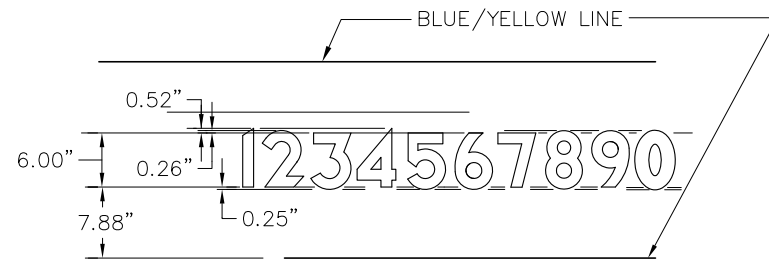
DETAIL F
1 NO SCALE

ALASKA RAILROAD CORPORATION ENGINEERING SERVICES P.O. BOX 107500, ANCHORAGE, ALASKA 99510-7500		
PROJECT : MOTIVE POWER AND EQUIPMENT PASSENGER COACHES		
TITLE: ARR 521, 522, 523 STYLING ELEVATION AND DETAILS		
DESIGNED BY: ARR	SCALE : NO SCALE	AFE NO.:
DRAWN BY: ARR	DATE : JUNE 2016	ACAD FILE:
CHECKED BY: ARR		DWG NO. 1 OF 1
APPROVED BY: ARR		



LOCATED AT BL AND AR ENDS OF SIDES

DETAIL A
1 NO SCALE



LOCATED AT BR AND AL ENDS OF SIDES

DETAIL B
1 NO SCALE

GENERAL NOTES:

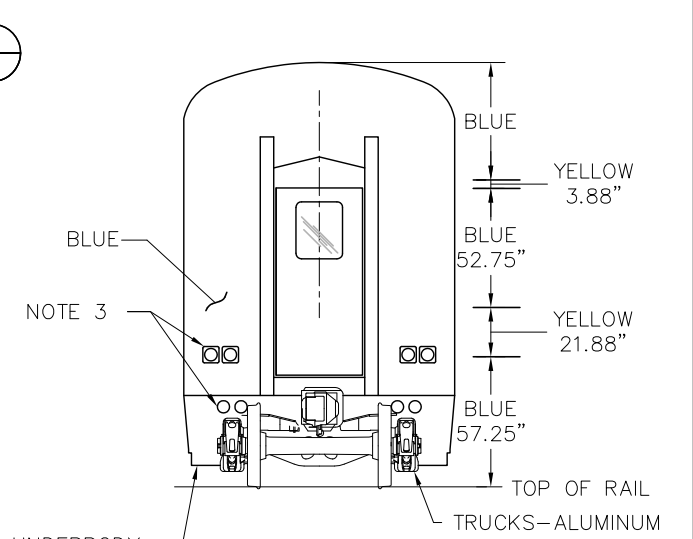
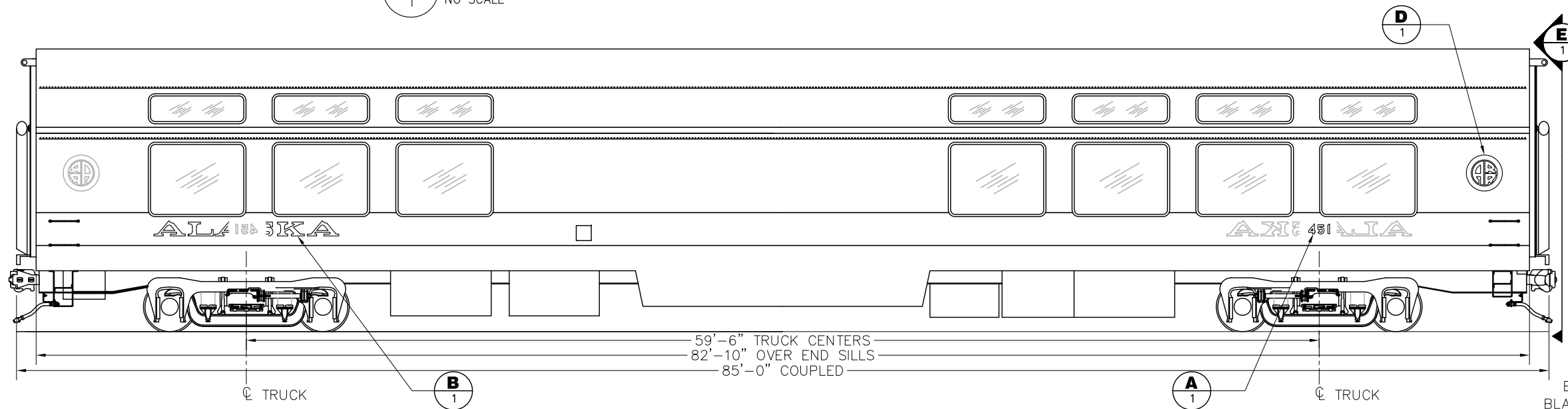
- DO NOT PAINT STAINLESS STEEL, OTHER BRIGHT METAL, COUPLERS OR WHEELS.
- ALL PAINTING TO BE IN ACCORDANCE WITH ARR SPECIFICATION FOR PAINTING OF ROLLING STOCK.
- COLOR CODE FOR TRAINLINE RECEPTACLES:
COMMUNICATIONS: LIGHT BLUE
DUMMY: WHITE
POWER: RED
LOCOMOTIVE MU: YELLOW
- DETAILS OF GRAPHICS ARE DOCUMENTED IN THE AUTOCAD FILE OF THIS DRAWING.
- DIMENSIONS SHOWN IN DETAIL E APPLY AT BODY BOLSTERS. LINES ARE TO FOLLOW CARBODY CAMBER.
- NEW RETRO-REFLECTIVE EMERGENCY ACCESS SIGNS WILL BE INSTALLED BY ALASKA RAILROAD.



18.00" VISUAL END OF SIDE SHEET

24" DIAMETER LOGOTYPE.
VERTICAL POSITION: MAINTAIN 18" (OR AS SPACE PERMITS) FROM VISUAL END OF SIDE (eg CORNER POST OR DOOR JAMB). OMIT IF SPACE DOES NOT PERMIT APPLICATION. LOCATED ONLY AT BL AND AR ENDS OF SIDES.

DETAIL D
1 NO SCALE



UNDERBODY EQUIPMENT - BLACK (DO NOT PAINT STAINLESS)

DETAIL E
1 NO SCALE

ALASKA RAILROAD CORPORATION ENGINEERING SERVICES P.O. BOX 107500, ANCHORAGE, ALASKA 99510-7500		
PROJECT :		
MOTIVE POWER AND EQUIPMENT PASSENGER COACHES		
TITLE:		
ARR 451 STYLING ELEVATION AND DETAILS		
DESIGNED BY: ARR	SCALE : NO SCALE	AFE NO.:
DRAWN BY: ARR	DATE : JUNE 2016	ACAD FILE:
CHECKED BY: ARR		DWG NO. 1 OF 1
APPROVED BY: ARR		