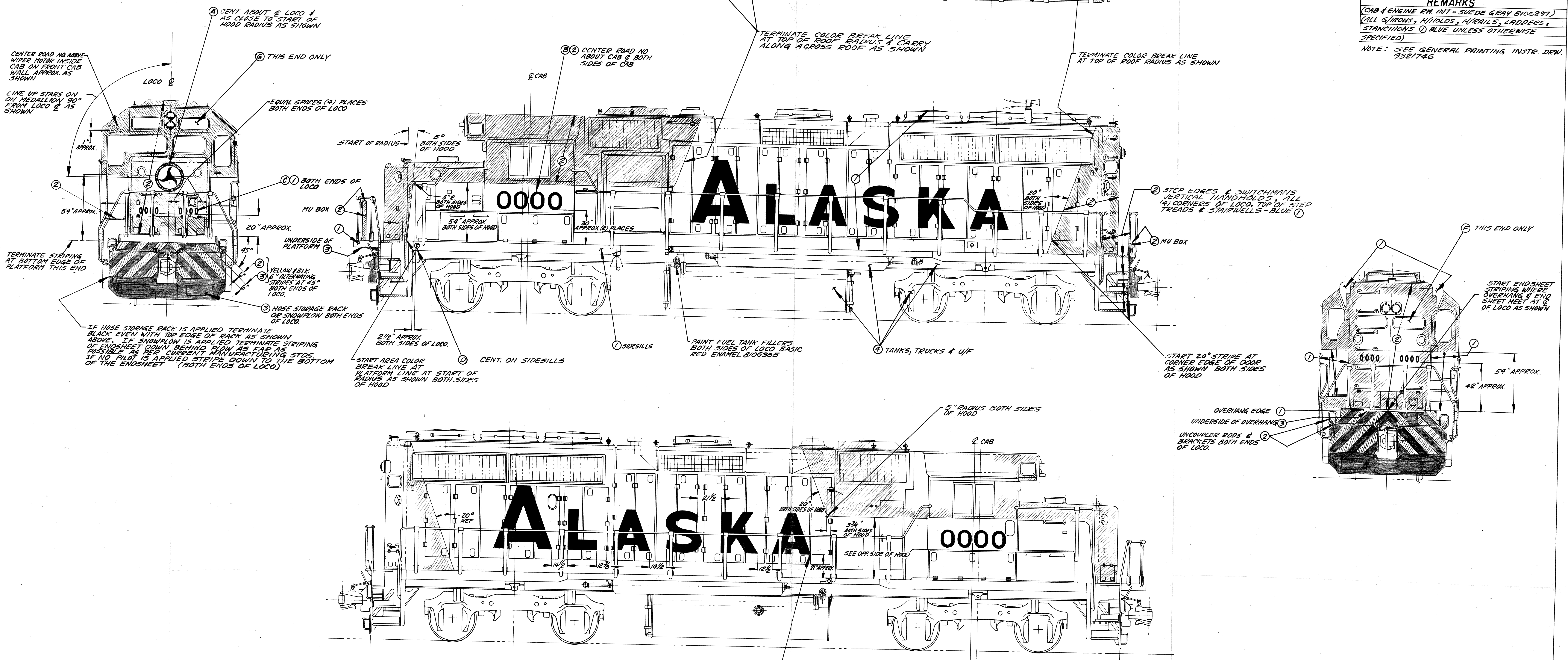
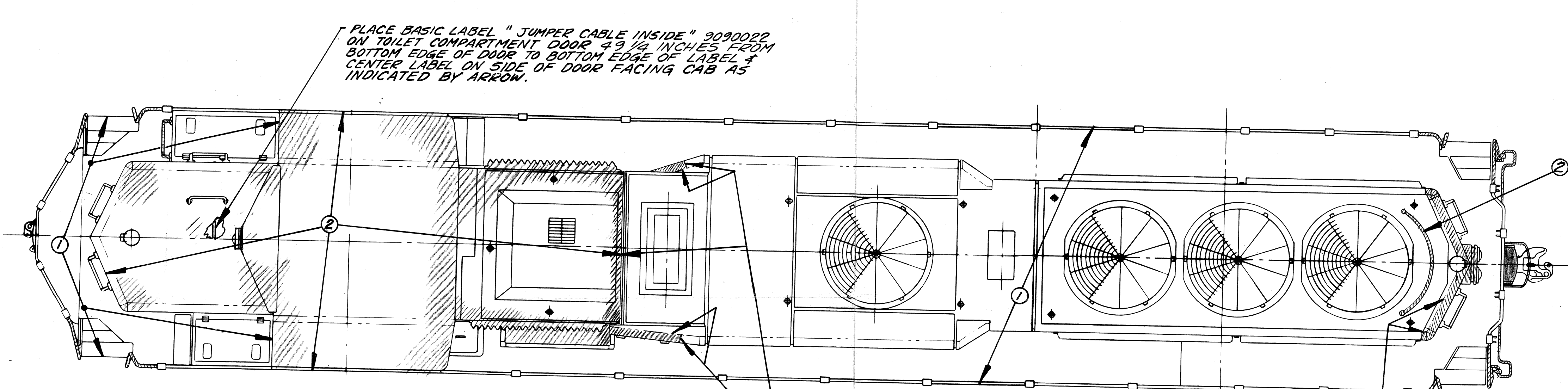


9509543

PAINT SHOP CUSTOMER NOTE:

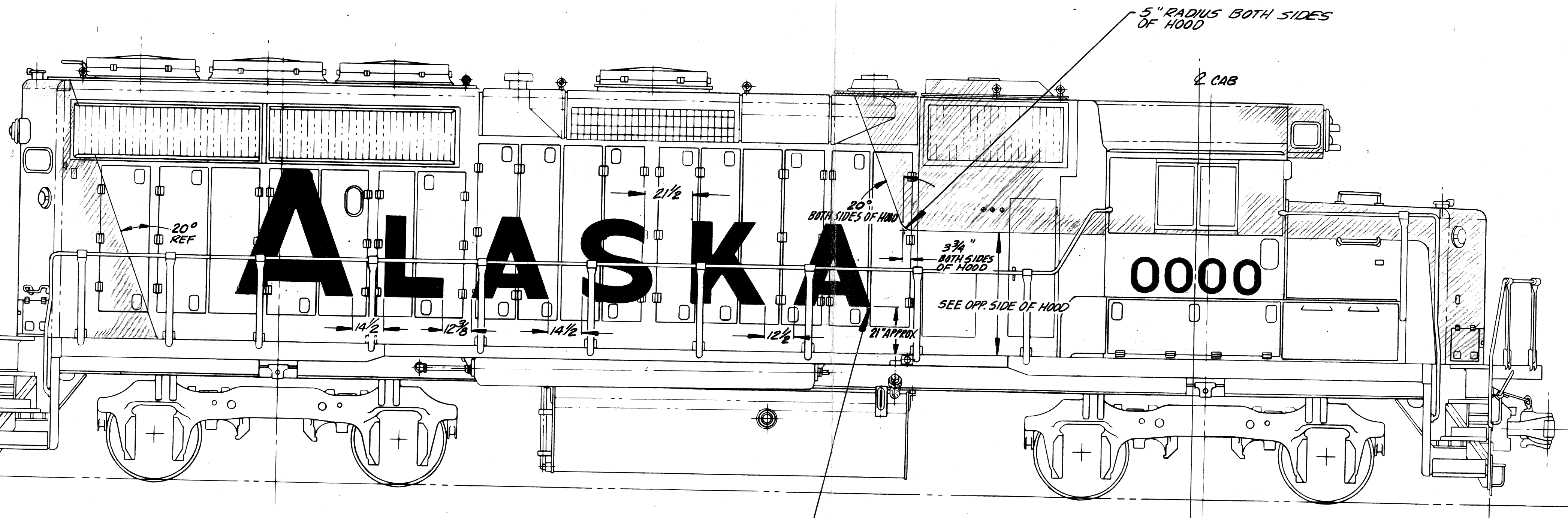
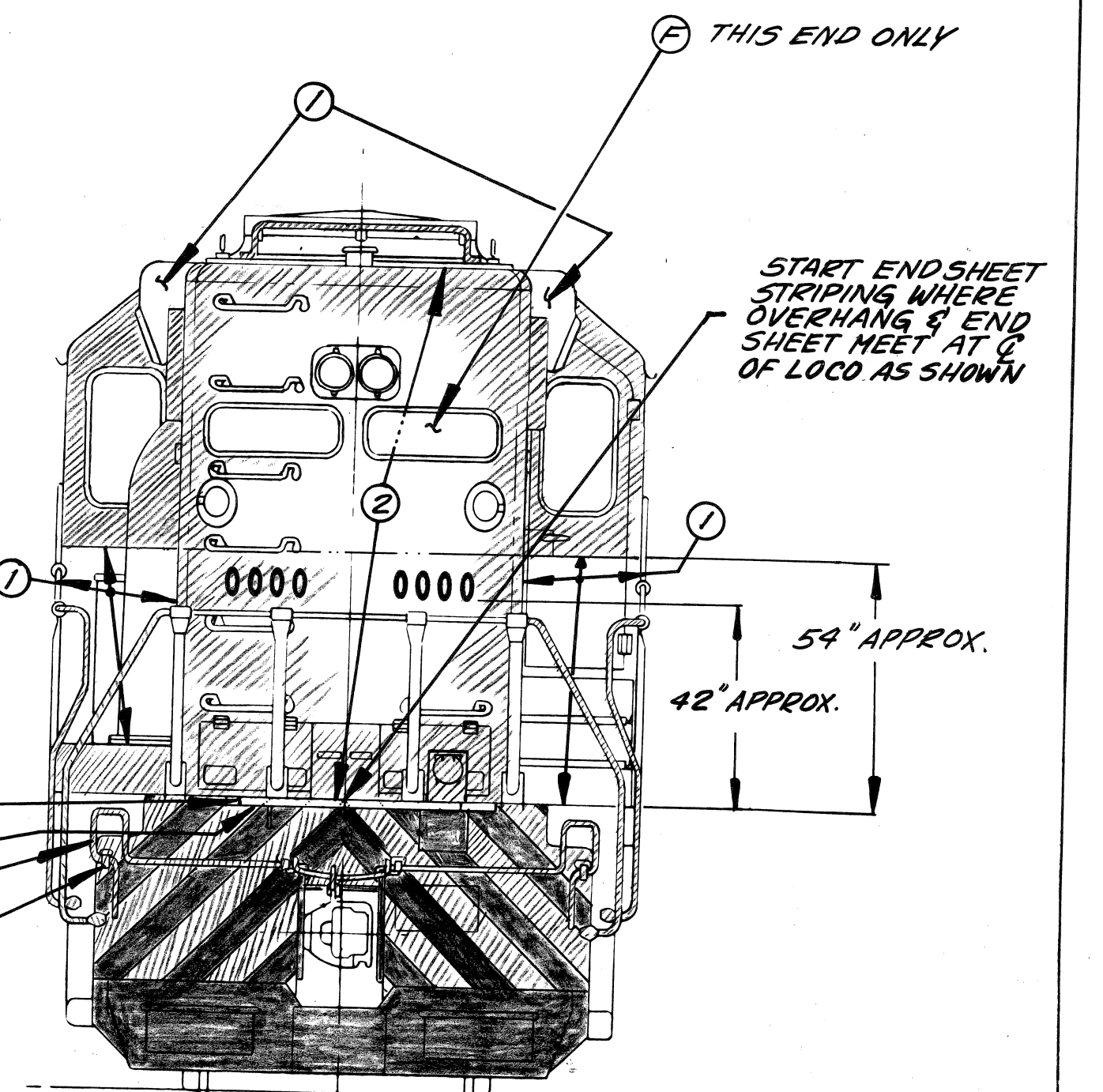
- (1) USE ALL APPROX. DIMENSIONS AS INDICATED. IF APPLICATION OF A DETAIL CAN BE IMPROVED BY ADJUSTMENT, ADJUST DETAIL $\pm 1/2$ INCHES MAXIMUM.
- (2) ALL OTHER DIMENSIONS ARE NOT APPROX. AND SHOULD NOT BE MOVED, UNLESS APPLICATION CAN BE IMPROVED. IF SO CHANGE CANNOT BE MADE WITHOUT CONSULTING THE STYLING DEPARTMENT 891 FOR APPROVAL.
- (3) REFER TO A.I. 2320 FOR AUTHORITY



STYLING & PAINTING			
COLOR	TYPE	REFER.	EMD NO.
1 BLUE	POLYURETHANE	BEL-Y-84764	9506077
2 YELLOW	POLYURETHANE	BEL-Y-84763	9506076
3 BLACK	POLYURETHANE	BEL-Y-67606	7094001
4 BLACK	ENAMEL		8106299
5			
6			
7			
8			
9			

DETAILS	
DRG NO.	DESCRIPTION
A 9506188	MEDALLION-REFLECTIVE (FURN BY R.R.)
B 8939156	PATTERN-NUMBERS 15 IN
C 8333155	PATTERN-NUMBERS 6 IN
D 8422531	LETTER-F ALMAS (SEE EDL)
E 9009594	PATTERN-LETT BD 56 IN
F	SEE EDL NO BOX PLATE -FOR NO STYLE SEE 888174
G	SEE EDL INDIVIDUAL NO BOX SLIDES, 7" WDS.
H	
J	
K	

REMARKS
 (CAB & ENGINE EM INT - SWEDEN GRAY 8106297)
 ALL GIRDERS, H/HOLDS, H/RAILS, LADDER, STANCHIONS 1 BLUE UNLESS OTHERWISE SPECIFIED.
 NOTE: SEE GENERAL PAINTING INSTR. DEM. 3321746



Locos 3012, 3013, 3014, 3015
 ALASKA RAILROAD MECHANICAL BRANCH
APPROVED
 DATE 7/11/76
 CHIEF MECHANICAL OFFICER

REV. NO.	REV. LET.	REVISION	DATE	BY	APVD.	R.F.C. NO.	REV. LET.	REVISION	DATE	BY	APVD.	R.F.C. NO.	REV. LET.	REVISION	DATE	BY	APVD.

NO.	REV.	MATERIAL	NAME OF PART	PART NO.	IT. NO.
			ELECTRO-MOTIVE DIVISION GENERAL MOTORS CORPORATION LA GRANGE, ILLINOIS, U.S.A.		
			STYLING-GP40-2		