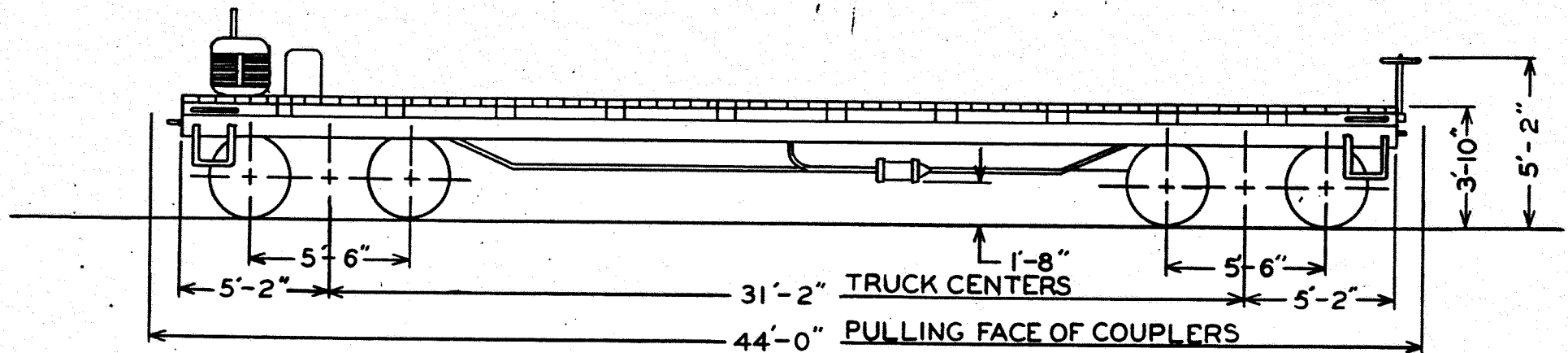


POWER CAR P-22



BUILT BY
 DATE BUILT
 REBUILT BY
 PURCHASED FROM
 PLACED IN SERVICE
 WHEELS
 TRUCKS
 AXLES
 BEARINGS
 UNDERFRAME
 LIGHTWEIGHT-LBS.
 CAPACITY-LBS.
 COUPLERS
 YOKES
 AIRBRAKES
 HANDBRAKES

APPROX. 1922
 ARR 1958
 CHICAGO FRT. CAR & PTS CO.

33"
 BETTENDORF TYPE
 5½ X 10"
 FRICTION
 STEEL
 33,600
 100,000
 TYPE "E" BOTT. OPERG.
 VERT. W/HORIZ. KEY
 AB-10" X 12" CYL.
 POWER GEAR

GENERAL DIMENSIONS:

| | |
|---------------------------------|--------|
| TRAIN LENGTH | 44'-0" |
| LENGTH OVER DECKING | 41'-2" |
| WIDTH OVER DECKING | 9'-9" |
| MAX. HEIGHT | 5'-2" |
| DIESEL GENERATOR: | |
| INTERNATIONAL UD-18 | 40KW |
| SPECIAL EQUIPMENT: | |
| 4 STEEL DECK PLATES FOR PINNING | |
| CHOCK BLOCKS FOR URB. | |